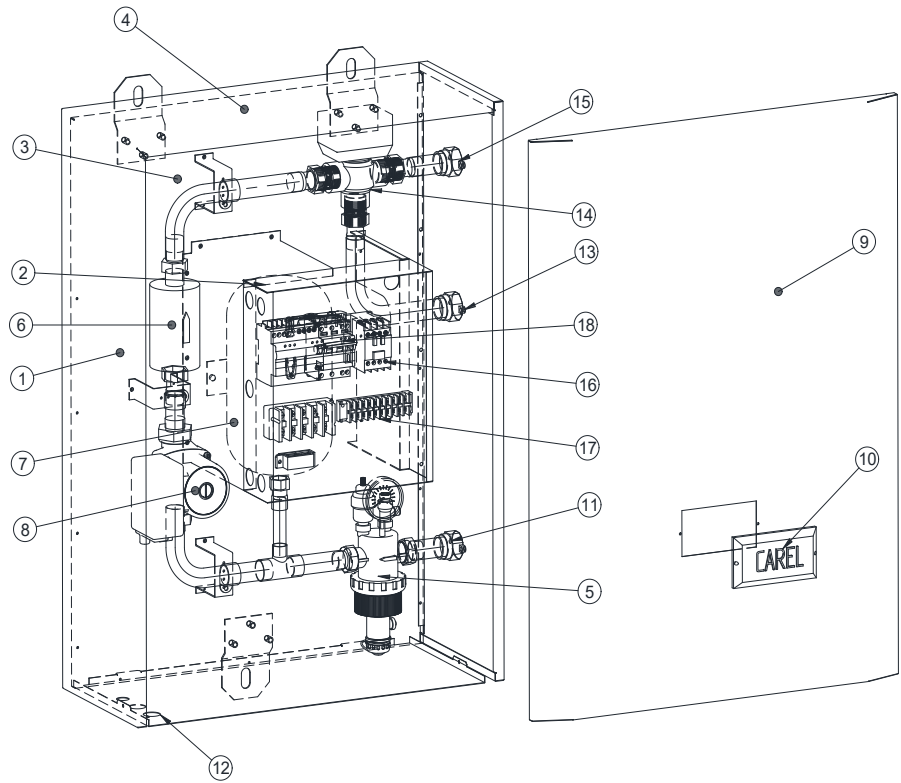


□ Overall dimension



No.	Component	N	Component
1	Left side pa	10	Control panel
2	Electric control panel	11	Water Inlet
3	Install the base plate	12	Through hole
4	Cover	13	A/C Water Outlet
5	Magnetic filter	14	Three-way valve
6	Pipeline electric heating	15	Hot Water Outlet
7	Expansion tank	16	AC contactor
8	Water pump	17	Terminal block
9	front panel	18	Leakage protection switch